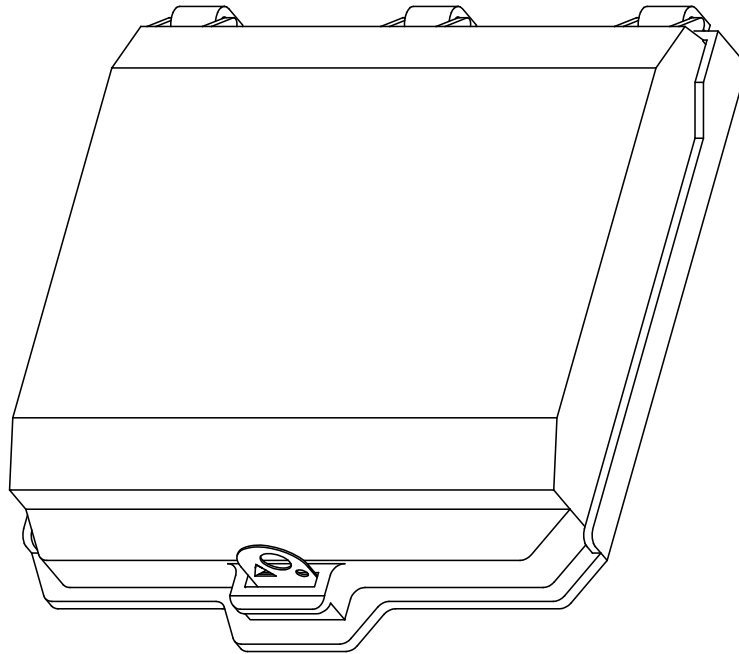


boltswitch[®]

INDOOR/OUTDOOR COVER KIT



PRIMARY APPLICATION	CATALOG NUMBERS		
	BLACK	RED	TRANSPARENT*
30-200 AMP PULLOUTS	CK-3	CK-3R	CK-3T
400 AMP, 240 VOLT PULLOUTS	CK-4	CK-4R	CK-4T
400 AMP, 600 VOLT PULLOUTS	CK-5	CK-5R	CK-5T

*TRANSPARENT COVER, BLACK BASE (OR OPTIONAL RED BASE IF SPECIFIED)

APPLICATION: Designed primarily to cover, protect and/or limit access to Pullout Switches, Breakers, Ground Fault Relays, etc. Suitable for indoor or outdoor use. (Red components suitable for indoor use only.)

TESTS: Tested in accordance with UL67 and UL746C, and UL recognized as Component-Panelboard Accessories under File No. E87840.

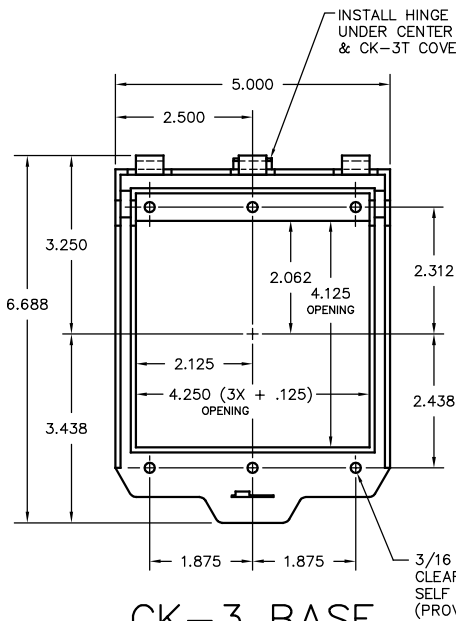
FEATURES: Attractive. Sturdy construction. Can be mounted vertically (hinges top) or horizontally. Hasp for padlock and wire seal.

boltswitch[®], ***inc.*** 6208 COMMERCIAL ROAD CRYSTAL LAKE, ILLINOIS 60014

www.boltswitch.com

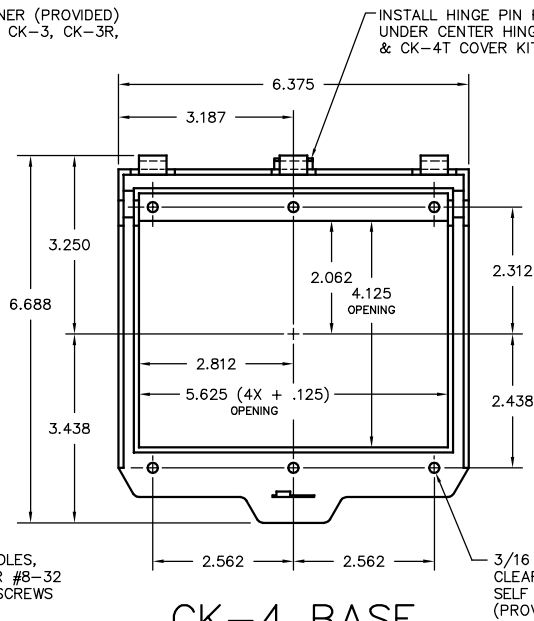
NOVEMBER, 2006

BULLETIN 133 (BACK)



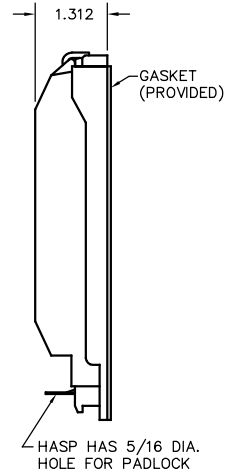
CK-3 BASE

(FOR 30-200 AMP PULLOUTS)



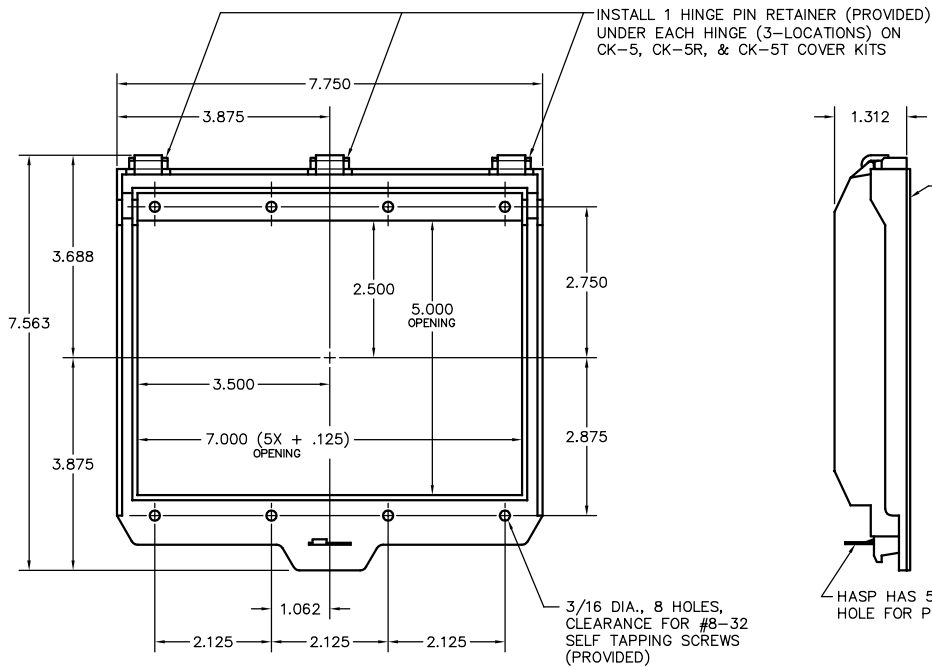
CK-4 BASE

(FOR 400 AMP, 240 VOLT PULLOUTS)



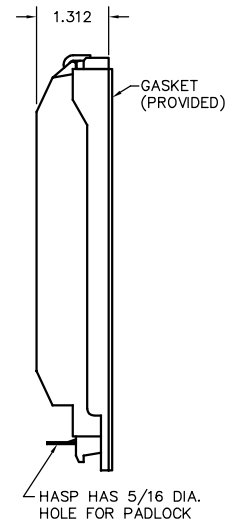
SIDE VIEW

BASE AND COVER



CK-5 BASE

(FOR 400 AMP, 600 VOLT PULLOUTS)



SIDE VIEW

BASE AND COVER

NOTES

- FOR INDOOR APPLICATION THE GASKET MAY BE OMITTED.
- ALL DIMENSIONS ARE IN INCHES.
- X EQUALS 1.375 INCHES.