

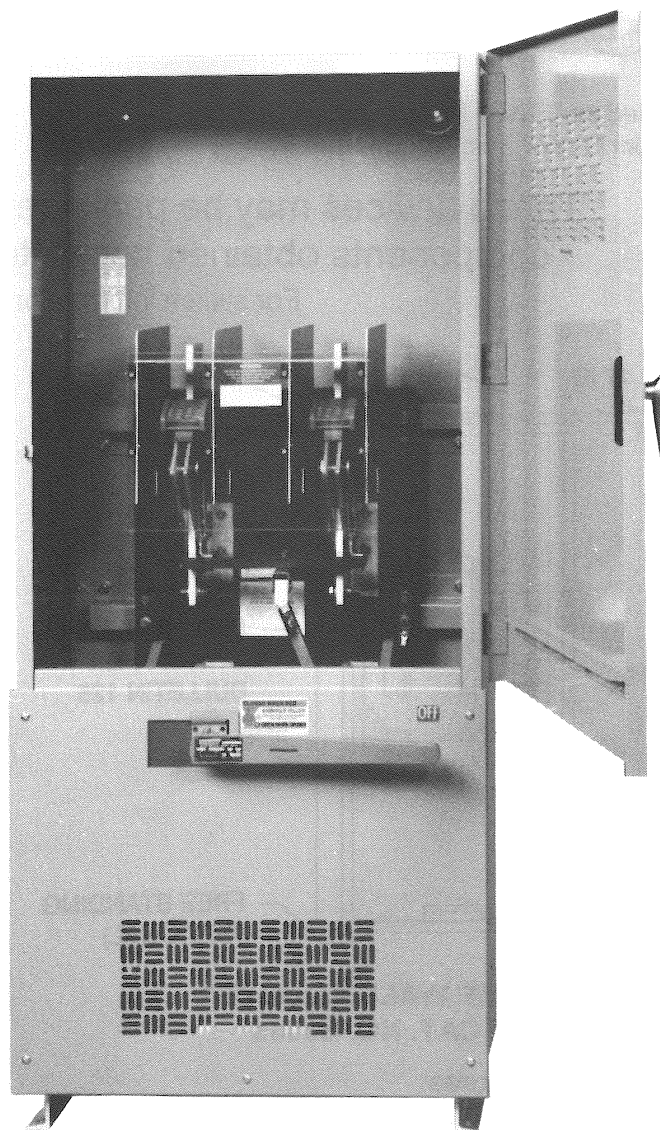
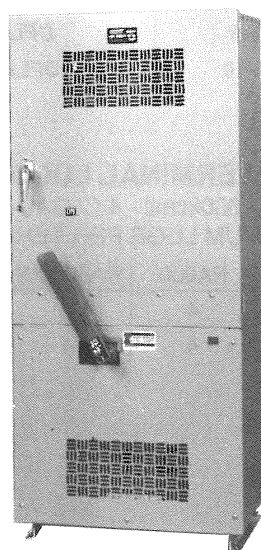
large enclosed series WLDC switches

DC rated load-break switches
for use with Class L fuses.

Particularly recommended for
uninterruptable power supply and
battery disconnect applications.

Rigid steel construction, with durable
baked enamel grey finish.

Optional knock-outs in the top
panel for cable entry and exit.



boltswitch[®], inc.

6208 Commercial Road
Crystal Lake, IL 60014
Phone: (815) 459-6900
Fax: (815) 455-7788

large enclosed series WLDC switches (Bul. 135)

boltswitch®
bolted pressure contact switches



LISTED SWITCHES

and



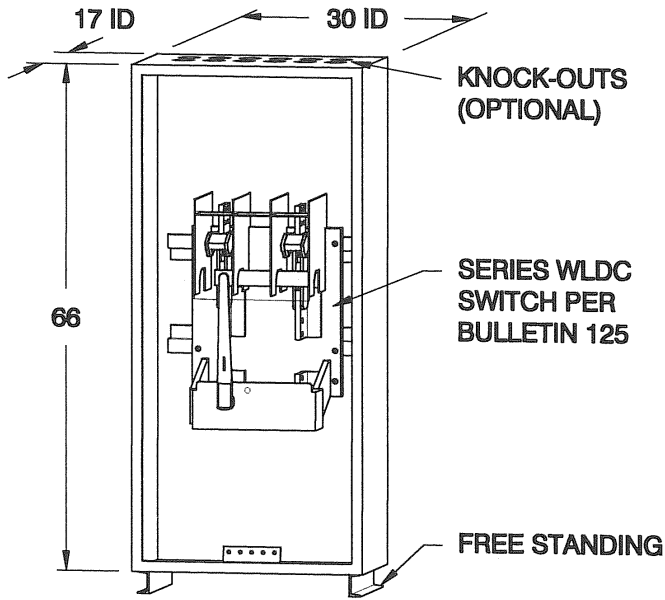
LISTED CABINETS

Listed as "Fused Power Curcuit Devices" under UL977, File No. E44498.

Listed as "Fused Power Curcuit Device Enclosures" under Category 178, Report No. 509803

These devices may be packaged as an enclosed switch **OR** the components obtained separately (cabinet, switch, and lugs).

For switch information refer to Bulletin 125.



800 - 2000 AMP WALL MOUNTED
CABINET CAT. NO. E3066

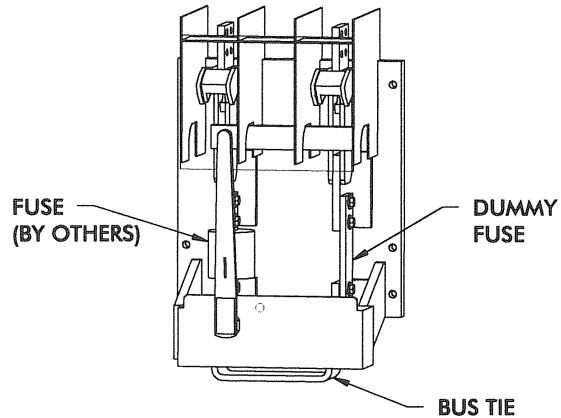
Optional Features:

- KO's In Top Panel
- Viewing Window

* Due to the weight of these units, the free standing option is recommended for most applications.

APPROX. SHIPPING WEIGHTS

800-1200-1600 amp 405 lbs
2000 amp 450 lbs



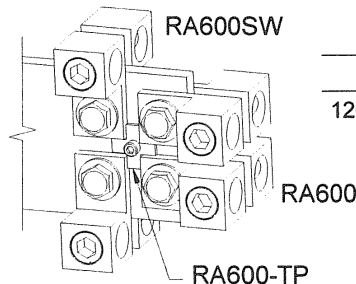
For 1-P (double break) applications, specify the following bus tie and dummy fuse:

AMP	BUS TIE CAT. NO.	DUMMY FUSE CAT. NO.
800	BTWL-7	DFL67
1200	BTWL-8	DFL68
1600	BTWL-9	DFL69
2000	BTWL-10	DFL610

TERMINAL LUGS

600kcmil - 4 CU9AL
MAXIMUM LUGS PER TERMINAL

AMP	RA600	RA600SW	TOTAL
800	4	-	4
1200-2000	4	4	8



boltswitch, inc. 6208 Commercial Road Crystal Lake, Illinois 60014