

400 and 600 amp
class T fusible
double throw switches

Bulletin 136

enclosed series T & GT "geneva"



series T "geneva"



series GT "geneva"



Constructed in accordance with UL98, and listed as "Enclosed Switches" under File No. E38735.

Suitable for use on circuits capable of delivering 200,000 RMS symmetrical amperes at rated voltage (or 50,000 amperes at 125 volts DC), with class T fuses installed.

Suitable for use as service equipment (S.U.S.E.).

Indoor/outdoor (Type 3R) construction.

Positive Quick-Make Quick-Break contacts.

Patented Break-Before-Make operating mechanism, designed for use on optional standby systems so to prevent the inadvertent interconnection of normal and alternate power sources.

boltswitch[®], inc.

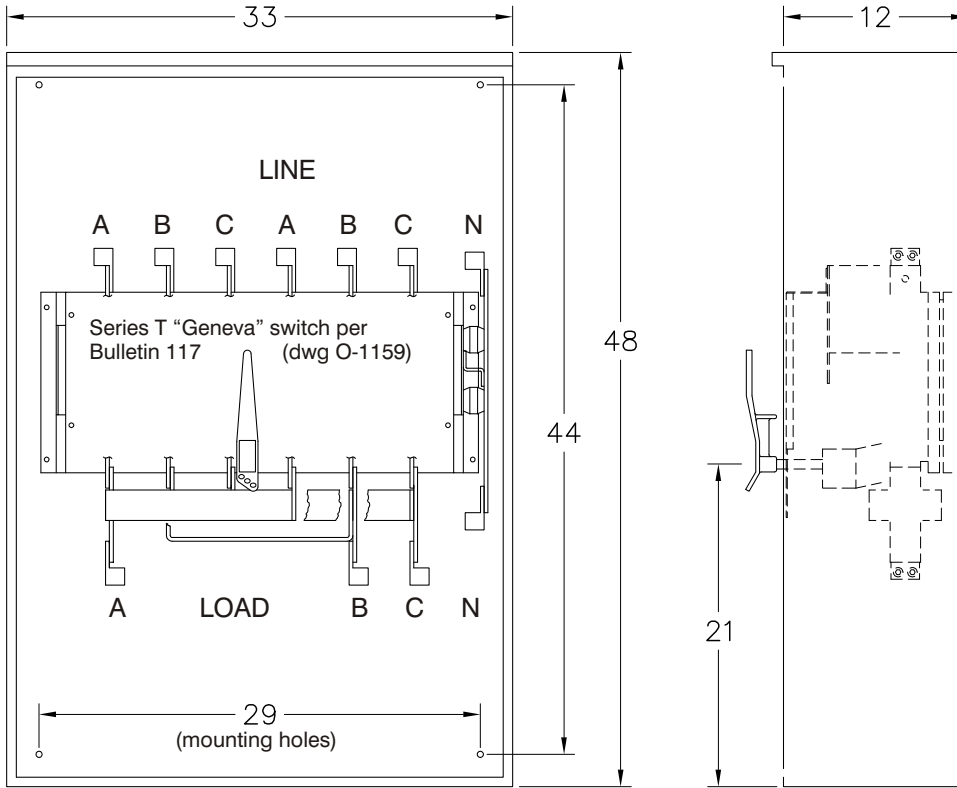
6208 COMMERCIAL ROAD
CRYSTAL LAKE, IL 60014
PHONE 815-459-6900
FAX 815-455-7788
www.boltswitch.com

400 and 600 ampere
class T fusible
double throw switches

boltswitch[®]
bolted pressure contact switches

enclosed series T “geneva”

Ideal for use as the service entrance main when there is a permanently installed generator or alternate power source.



Enclosure is 14 ga. steel painted ASA 61 grey.

Bus ties are included and mounted on the load side of the switch.

Intended for wall mounting.

Terminal lugs are included as follows:
400 amp
(2) 250kcmil - 6 CU9AL
600 amp
(2) 350kcmil - 6 CU9AL

3-Pole, 4-Wire switch illustrated.

SERIES T CATALOG NUMBERS

VOLTAGE	AMP	2P - 2W	2P - 3W *	3P - 3W	3P - 4W *
240 AC (or 125 DC if specified)	400	ET225-5	ET325-5N	ET325-5	ET425-5N
	600	ET226-6	ET326-6N	ET326-6	ET426-6N
600 AC	400	ET265-5	ET365-5N	ET365-5	ET465-5N
	600	ET266-6	ET366-6N	ET366-6	ET466-6N

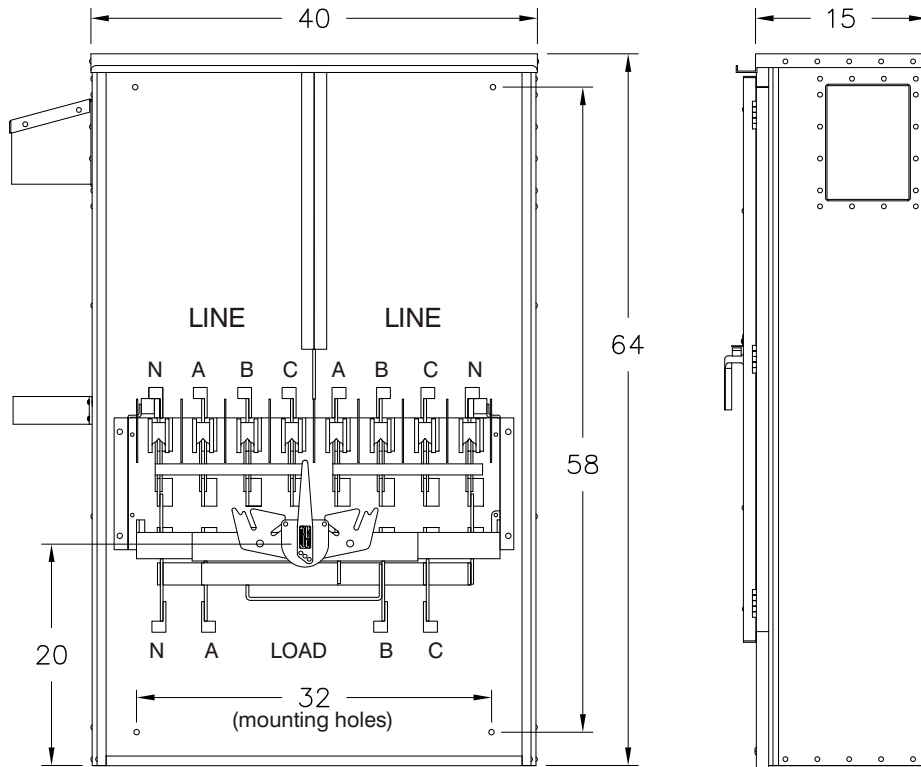
* Marked Suitable For Use As Service Equipment (S.U.S.E.).

400 and 600 ampere
class T fusible
double throw switches

boltswitch[®]
bolted pressure contact switches

enclosed series GT "geneva"

The "G" in GT stands for Generator Ready. Ideal for use as the service entrance main, where the quick connection of a portable generator is desired.



4-Pole, 4-Wire switch illustrated.

Provides all the same features as our series T "geneva" except as follows:

Lightweight aluminum enclosure.

Double door construction hides and protects the operating handle.

Weatherproof cable access and cable guide (field adaptable to either side).

Viewing windows over the switch contacts are standard.

Available in 4-Pole, 4-Wire when it is desired to switch the neutral.

Center partition separates utility and generator line terminal compartments. Each compartment is lockable and sealable.

SERIES GT CATALOG NUMBERS

VOLTAGE	AMP	2P - 2W	2P - 3W *	3P - 3W	3P - 4W *	4-P - 4-W *
240 AC (or 125 DC if specified)	400	EGT225-5	EGT325-5N	EGT325-5	EGT425-5N	EGT425-5
	600	EGT226-6	EGT326-6N	EGT326-6	EGT426-6N	EGT426-6
600 AC	400	EGT265-5	EGT365-5N	EGT365-5	EGT465-5N	EGT465-5
	600	EGT266-6	EGT366-6N	EGT366-6	EGT466-6N	EGT466-6

* Marked Suitable For Use As Service Equipment (S.U.S.E.).

Approximate net weight is 300 lbs.

boltswitch[®], inc.

www.boltswitch.com

6208 COMMERCIAL ROAD CRYSTAL LAKE, ILLINOIS 60014

Bulletin 136, Page 3

boltswitch[®] ***inc.*** 6208 COMMERCIAL ROAD, CRYSTAL LAKE, ILLINOIS 60014

October 2011