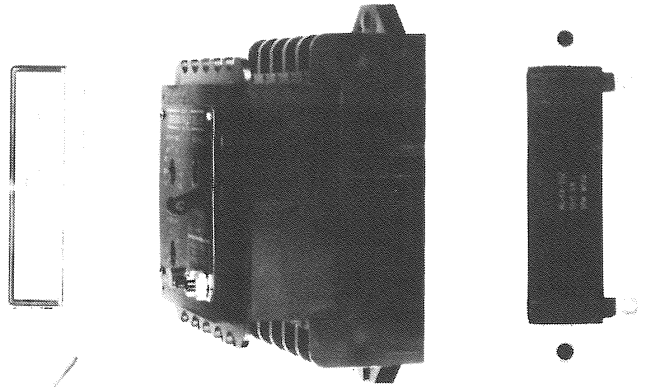
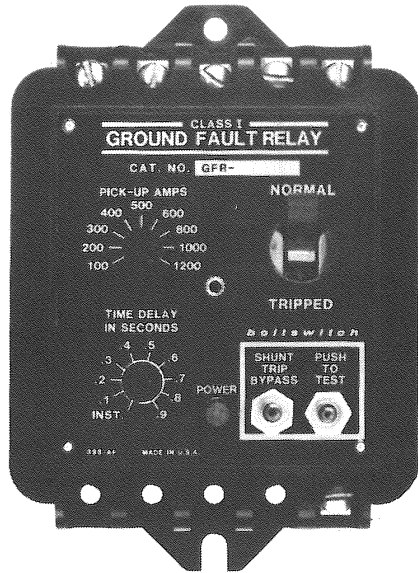


CLASS I GROUND FAULT RELAYS



COVER AND RESISTOR INCLUDED

APPLICATION:

These relays are designed primarily for installation on main service disconnects as required by the National Electrical Code, Article 230-95. They are used in conjunction with Boltswitch Ground Fault Sensors. Models are available with and without zone interlocking circuitry. With zone interlock, the time delay only functions when a device downstream is also sensing the fault.

PROTECTED CIRCUIT:

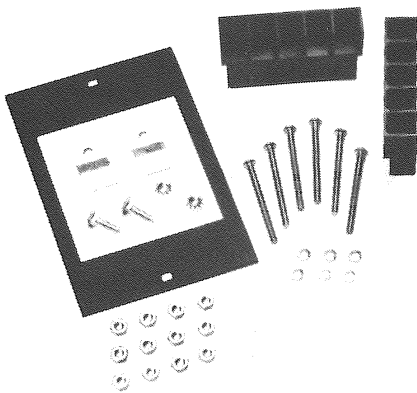
600 VAC, 200,000 RMS symmetrical amperes, 3 cycles.

TESTS:

Tested in accordance with UL 1053, and listed as Ground Fault Sensing and Relaying Equipment under File No. E88770.

FEATURES:

Very compact design, adjustable pick-up, adjustable time delay, control power indicator light, trip indicator, built in test feature, base or panel mountable, clear protective cover.



PANEL MOUNTING KIT

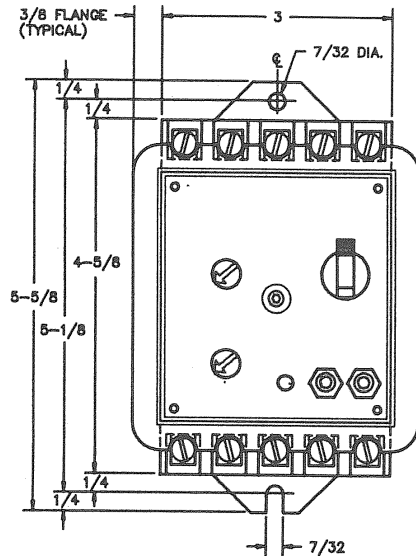
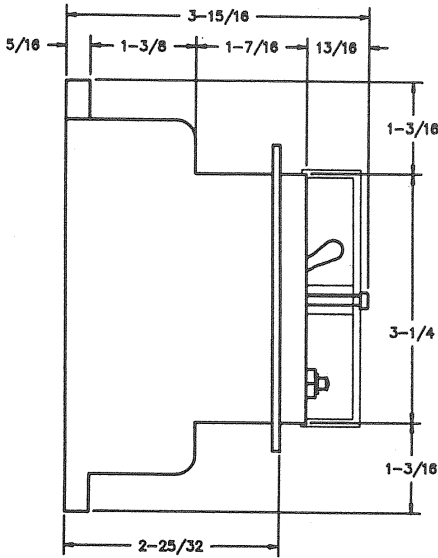
PICK-UP AMPS	INPUT VOLTAGE	CATALOG NUMBERS	
		WITHOUT INTERLOCK	WITH INTERLOCK
100-1200	120 VAC	GFR-1	GFR-2
100-1200	125 VDC	GFR-3	GFR-4
100-1200	24 VDC	GFR-5	GFR-6
5-60	120 VAC	LGFR-1	LGFR-2
5-60	125 VDC	LGFR-3	LGFR-4
5-60	24 VDC	LGFR-5	LGFR-6

OPTIONAL PANEL MOUNTING KITS:

- CAT. NO. GFRK-1 FOR RELAYS WITHOUT INTERLOCK CIRCUIT
- CAT. NO. GFRK-2 FOR RELAYS WITH INTERLOCK CIRCUIT

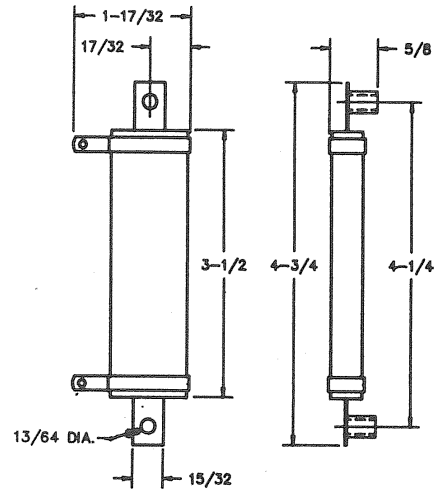
Panel mounting kits provide necessary hardware for mounting relays directly to the panel, with face of relay extending through the panel. Terminals are accessible from the rear of relay.

GROUND FAULT RELAYS



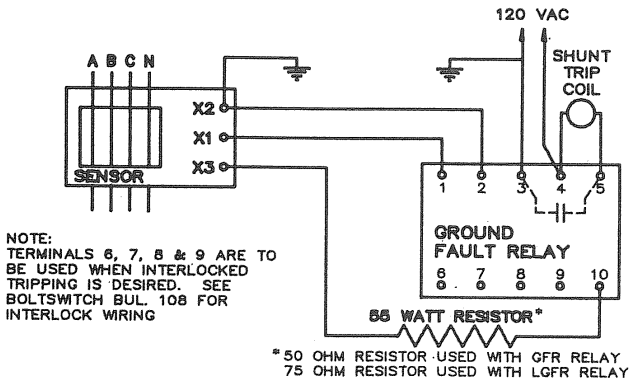
DIMENSIONS IN INCHES

RELAY



RESISTOR

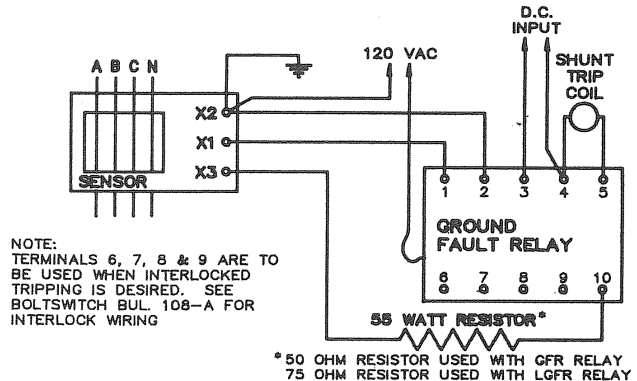
BASIC WIRING DIAGRAMS & RATINGS



GFS SENSOR MUST BE USED WITH GFR RELAY
LGFS SENSOR MUST BE USED WITH LGFR RELAY

GFR-1
GFR-2
LGFR-1
LGFR-2

VOLTAGE: 120 VAC, 50/60 Hz
CURRENT: 0.0078 AMPS
OUTPUT CONTACT
VOLTAGE: 120 VAC, 50/60 Hz
INRUSH: 10 AMPS
CONTINUOUS: 3 AMPS



GFS SENSOR MUST BE USED WITH GFR RELAY
LGFS SENSOR MUST BE USED WITH LGFR RELAY

GFR-3
GFR-4
LGFR-3
LGFR-4

VOLTAGE: 125 VDC
CURRENT: .0077 AMPS
OUTPUT CONTACT
VOLTAGE: 125VDC
CURRENT: 1 AMP

120 VAC USED FOR TEST WINDING ONLY.

GFR-5
GFR-6
LGFR-5
LGFR-6

VOLTAGE: 24VDC
CURRENT: 0.0087 AMPS
OUTPUT CONTACT
VOLTAGE: 24 VDC
CURRENT: 8 AMPS

120 VAC USED FOR TEST WINDING ONLY.