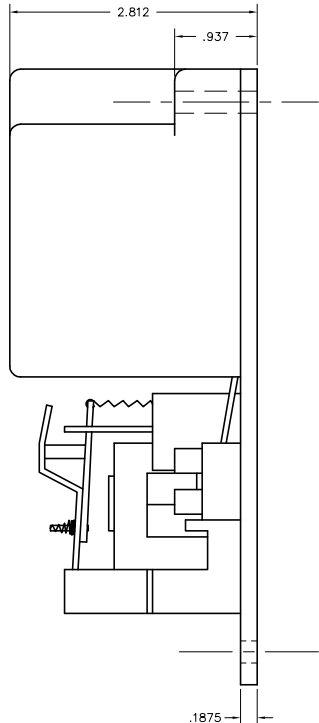
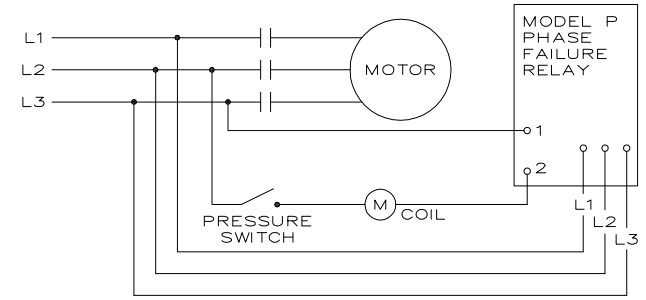


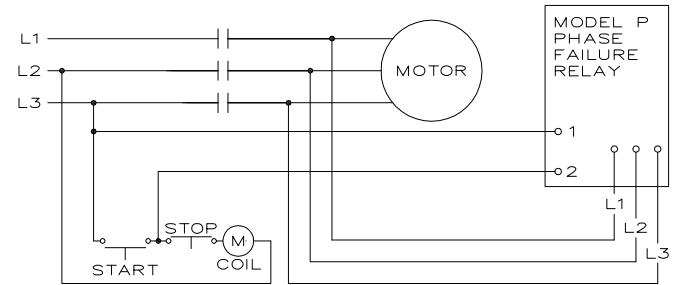
FRONT VIEW



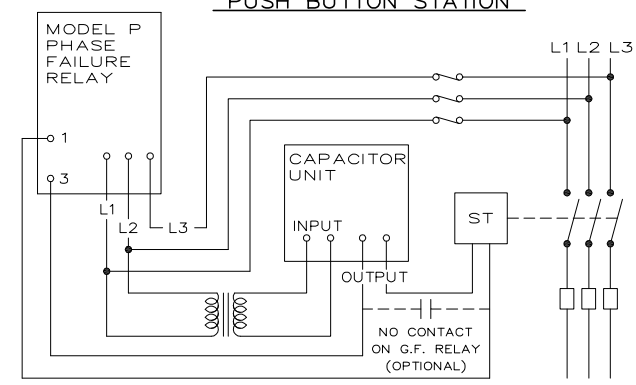
SIDE VIEW



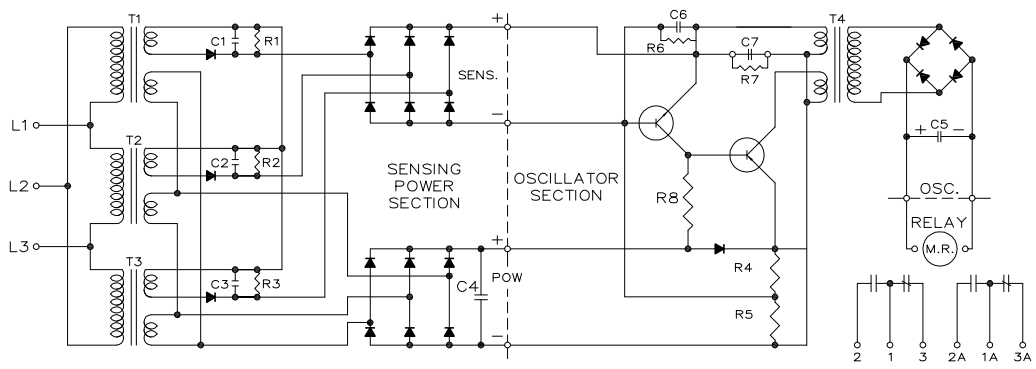
PRESSURE OR FLOAT SWITCH



PUSH BUTTON STATION



SWITCH HAVING SHUNT TRIP AND CAP. UNIT



INTERNAL WIRING

PHASE FAILURE RELAY MODEL P		
SCALE:	APPROVED BY:	DRAWN BY J.A.E.
DATE: 3-7-74		REVISED 6
boltswitch, Inc. CRYSTAL LAKE, ILLINOIS 60014		DRAWING NUMBER O-1086

REV 6 6-8-04 JAE WAS 1 N.O. & 1 N.C.
REV 5 7-29-97 RME REDRAWN ON CAD
REV 4 8-20-79 JAE "MODEL P" ONLY