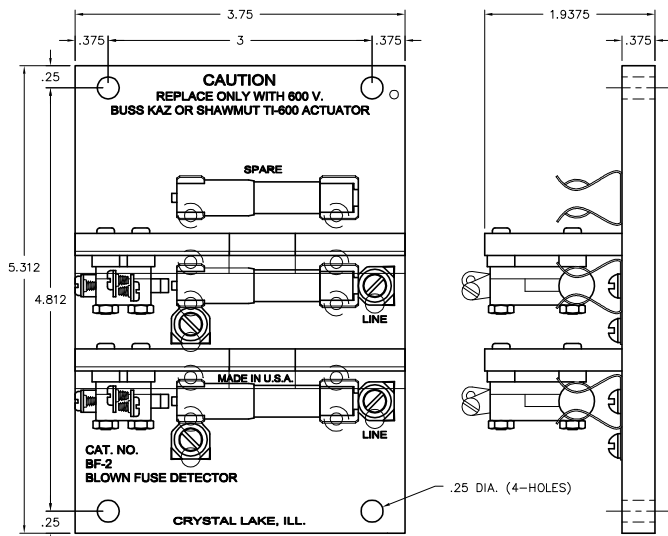
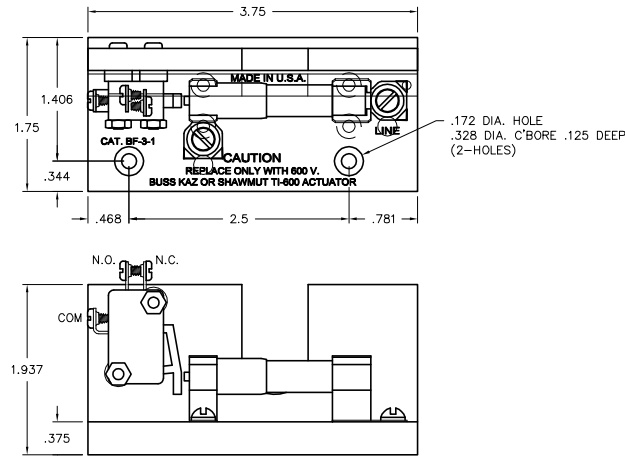


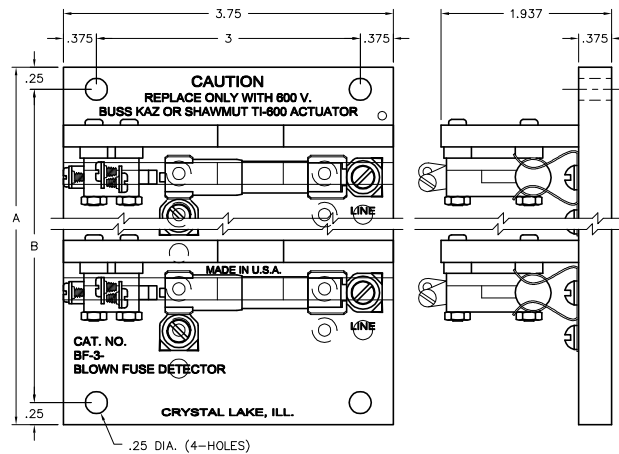
CAT.# BF-1



CAT.# BF-2

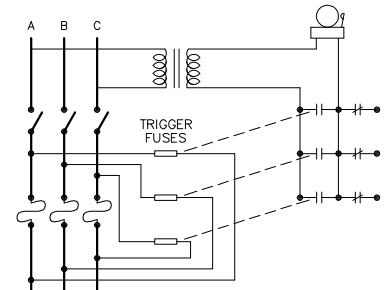


CAT.# BF-3-1

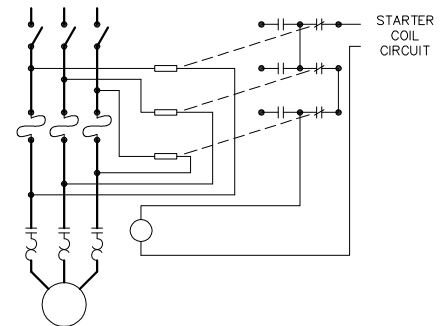


	BF-3-2	BF-3-3	BF-3-4	BF-3-5
"A" DIM.	4.062	5.375	6.687	8
"B" DIM.	3.562	4.875	6.187	7.5

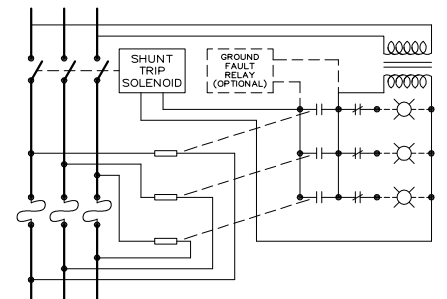
CAT.# BF-3-2 THRU BF-3-5



BLOWN FUSE ALARM



BLOWN FUSE PROTECTION WITH COMBINATION STARTER



BLOWN FUSE PROTECTION WITH SHUNT TRIP OPERATOR

OPTIONAL GROUND FAULT PROTECTION AND/OR BLOWN FUSE INDICATING LIGHTS

BLOWN FUSE DETECTORS
SERIES BF

SCALE:	APPROVED BY:	DRAWN BY JWE
DATE: 4-4-83		REVISED 3
boltswitch, inc.		DRAWING NUMBER
CRYSTAL LAKE, ILLINOIS 60014		O-1087

REV. 3 3-29-05 JAE N.O., N.C. & COM NOTATIONS ADDED
REV. 2 1-3-03 RME REDRAWN ON CAD
REV. 1 10-11-85 JAE CORRECTION IN WIRING DIAGRAM