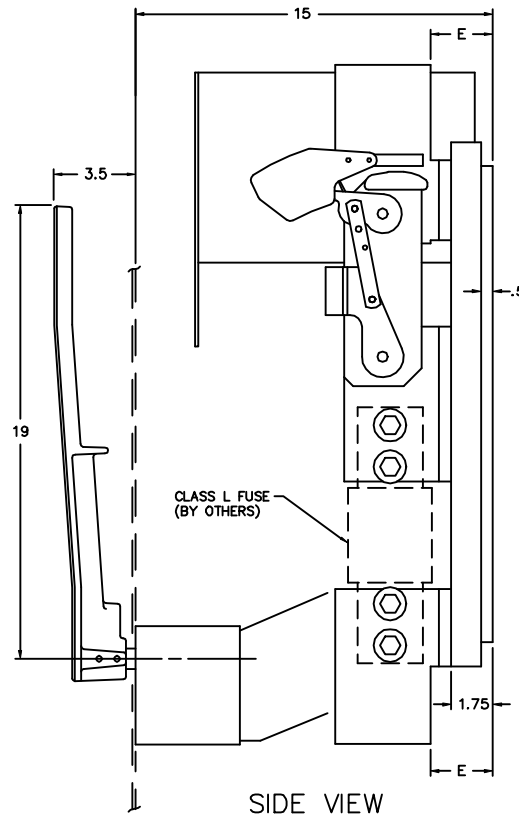
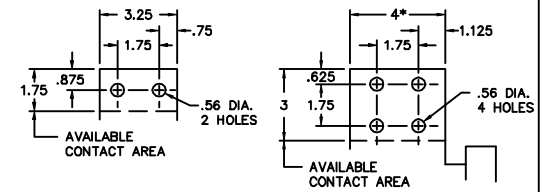


FRONT VIEW



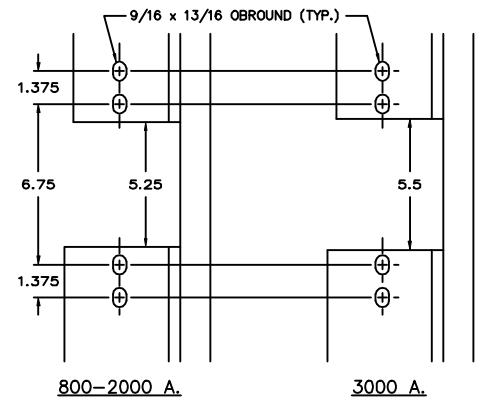
SIDE VIEW



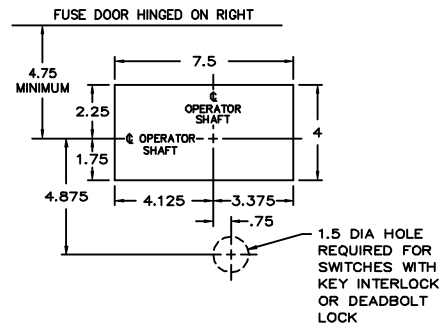
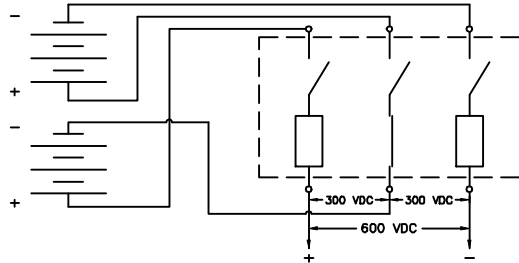
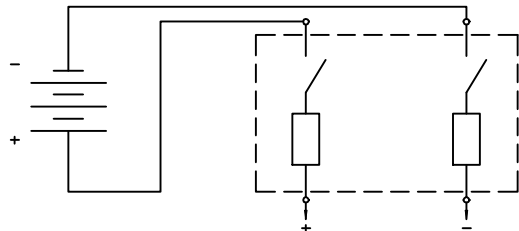
800 A. TERMINAL

1200-3000 A. TERM.
*4.438" ON 3000 A. ONLY

TYPICAL TERMINALS



CLASS M FUSE DRILLINGS



RECOMMENDED FRONT CUT-OUT

OPERATOR DETAILS

FOR OPERATOR DETAILS AND ALTERNATE FRONT CUT-OUTS, REFER TO THE FOLLOWING DRAWINGS:

- 0-1023A MANUAL OPERATOR
- 0-1090A SHUNT TRIP OPERATOR

KEY INTERLOCK

KEY INTERLOCK SPECIFICATIONS FOR SWITCHES EQUIPPED WITH KEY INTERLOCK PROVISIONS ARE:

- .375 BOLT PROJECTION WHEN WITHDRAWN
- KIRK TYPE B
- SUPERIOR TYPE B6003

	AMP	CATALOG NUMBER	NET WEIGHT	A	B	C	D	E	F	G
3-POLE	800	VM367	131 LBS	26.875	2	2.875	.375	2.5	22	2
	1200	VM368	138 LBS	28.625	3.25	3.375	.375	2.5	22	2
	1600	VM369	140 LBS	28.625	3.25	3.375	.375	2.5	22	2
	2000	VM3610	187 LBS	29.5	3.25	3.25	.5	2.625	23	3
	3000	VM3612	214 LBS	29.5	3.25	3.25	.75	2.625	23	3

	AMP	CATALOG NUMBER	NET WEIGHT
2-POLE	800	VM267	114 LBS
	1200	VM268	119 LBS
	1600	VM269	120 LBS
	2000	VM2610	161 LBS
	3000	VM2612	179 LBS

SAME AS 3-POLE EXCEPT CENTER POLE IS OMITTED.

SERIES VM

800-3000 A. 2 & 3 POLE 600 VDC FUSIBLE VERTICAL TERMINAL SWITCH

SCALE:	APPROVED BY:	DRAWN BY JWE
DATE: 4-26-83		REVISED 1