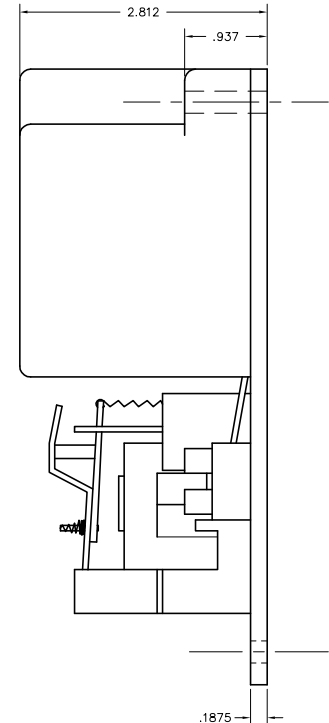
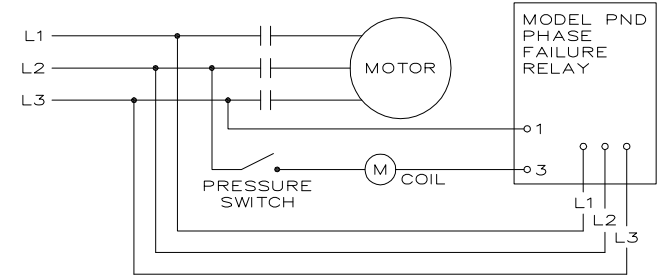


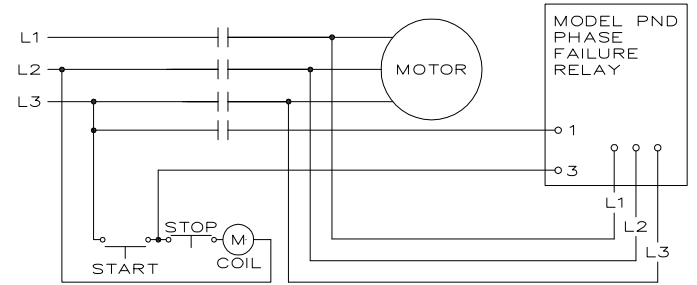
FRONT VIEW



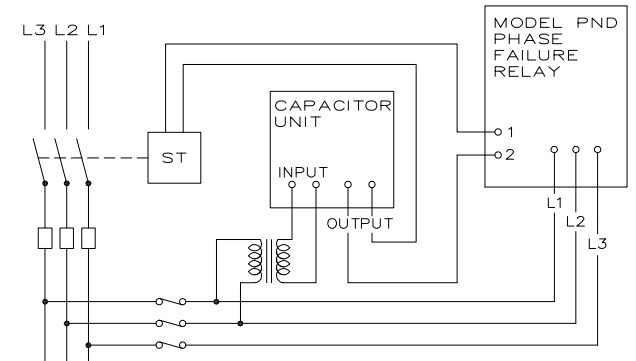
SIDE VIEW



PRESSURE OR FLOAT SWITCH

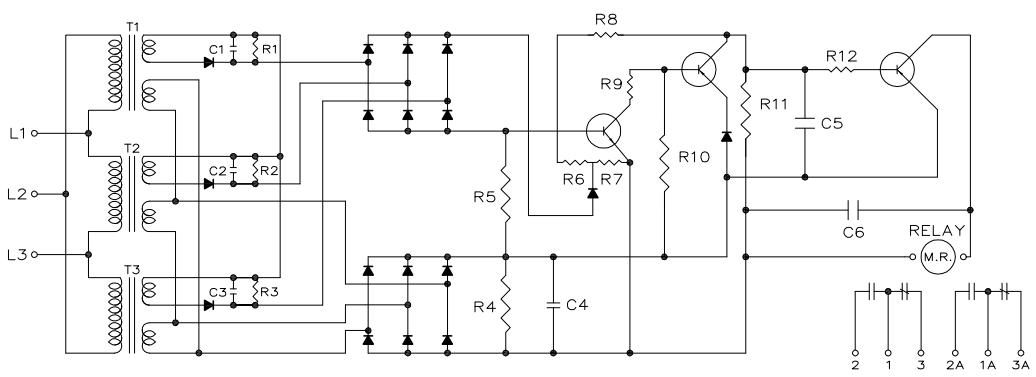


PUSH BUTTON STATION



SWITCH HAVING SHUNT TRIP AND CAP. UNIT  
(FOR OPTIONAL GROUND FAULT EQUIPMENT, REFER TO DWG O-1431)

REMOTE WIRING



PHASE FAILURE RELAY MODEL PND		
SCALE:	APPROVED BY:	DRAWN BY JAE
DATE: 9-10-79		REVISED 5
<b>boltswitch, inc.</b> CRYSTAL LAKE, ILLINOIS 60014		DRAWING NUMBER O-1251

REV 5 6-8-04 JAE WAS 1 N.O. & 1 N.C.  
 REV 4 11-11-97 RME "MODEL P" CHANGED TO "MODEL PND"  
 REV 3 7-30-97 RME REDRAWN ON CAD  
 REV 2 8-31-89 JAE G.F. REMOVED FROM DIA & NOTE ADDED  
 REV 1 1-21-85 JWE 2.9875 WAS 2.375, .1875 WAS 1.125