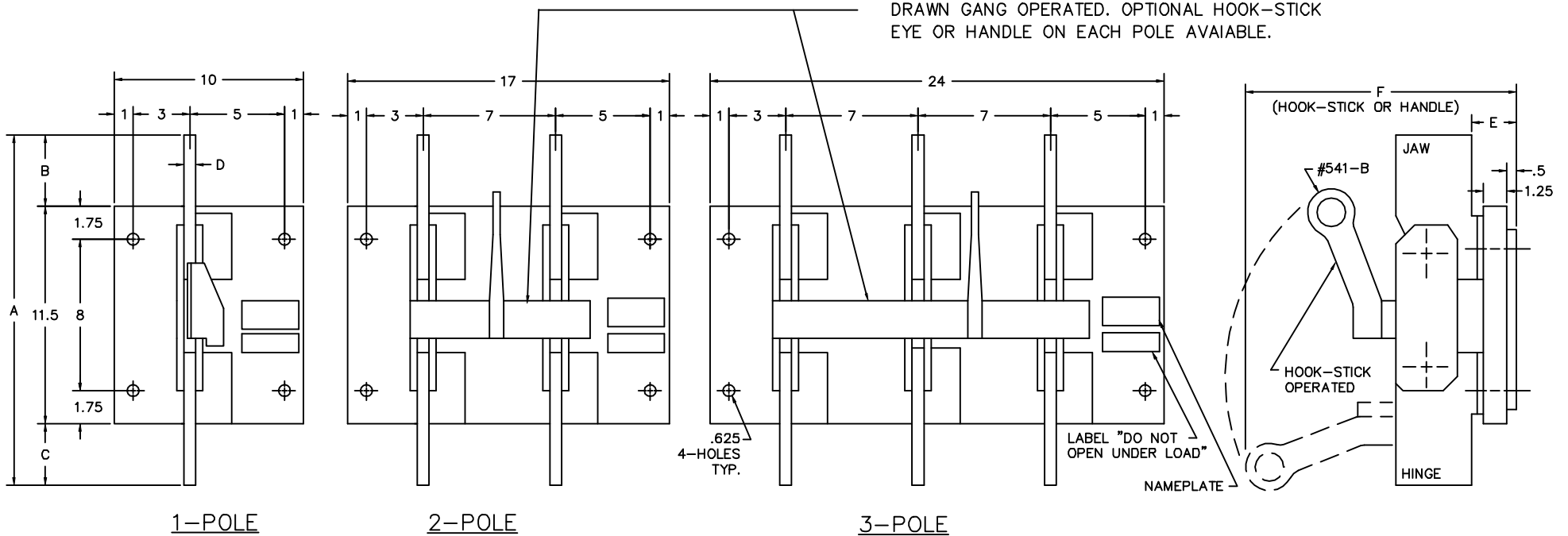


DRAWN GANG OPERATED. OPTIONAL HOOK-STICK EYE OR HANDLE ON EACH POLE AVAILABLE.



1-POLE

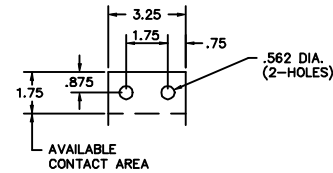
2-POLE

3-POLE

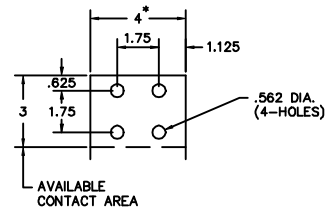
FRONT VIEW

SIDE VIEW

AMP	A	B	C	D	E	F	JAW PART NO.	HINGE PART NO.	BLADE PART NO.
800	16	2.5	2	.375	2.5	13.375	666-D	666-CN	667-A
1200	18.5	3.75	3.25	.375	2.5	14.125	668-D	668-CN	667-A
1600	18.5	3.75	3.25	.375	2.5	14.125	668-D	668-CN	668-A
2000	18.5	3.75	3.25	.5	2.625	14.25	669-D	669-CN	669-A
2500	18.5	3.75	3.25	.625	2.625	14.25	670-D	670-CN	670-A
3000	18.5	3.75	3.25	.75	2.625	14.687	671-DX	671-CNX	671-A

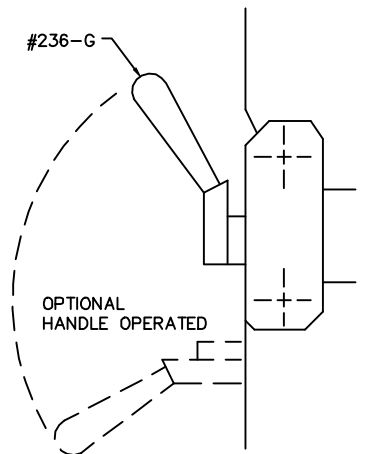


800 AMP TERMINAL



1200-3000 AMP TERMINAL

*4.4375 ON 3000 AMP TERMINALS ONLY



NOTE:

SWITCHES DO NOT HAVE ARC CHUTES OR ARCHING CONTACTS, AND ARE NOT TO BE OPENED UNDER LOAD.

800-3000A 1, 2 & 3 P 600 VAC OR DC NO-FUSE DISCONNECT		
SCALE:	APPROVED BY:	DRAWN BY DW
DATE: 2-13-89		REVISED 1
boltswitch, inc. CRYSTAL LAKE, ILLINOIS 60014		DRAWING NUMBER O-1261