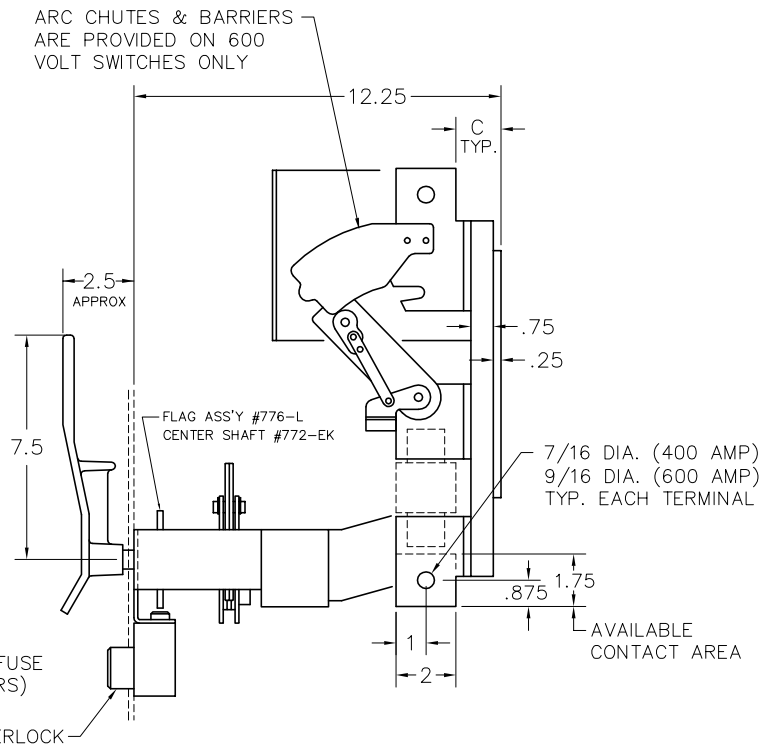
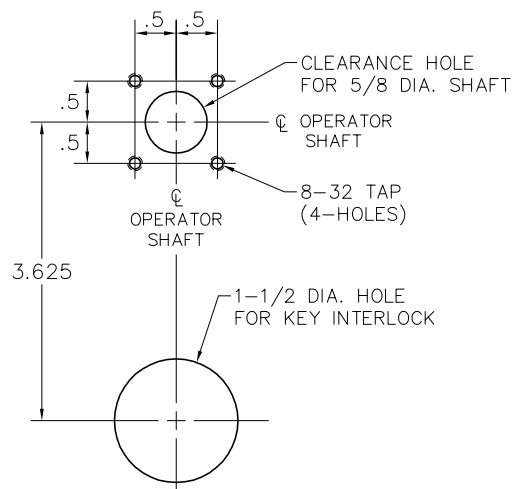


FRONT VIEW



SIDE VIEW



DRILLING LAYOUT

VOLTAGE (AC)	AMPS	CAT. NO.* 3 POLE	CAT. NO.* 2 POLE	A	B	C
240 (USE 300 V. FUSES)	400	T325-5	T225-5	13.687	.187	1.406
	600	T326-6	T226-6	13.750	.250	1.500
600 (USE 600 V. FUSES)	400	T365-5	T265-5	14.562	.187	1.406
	600	T366-6	T266-6	14.625	.250	1.500

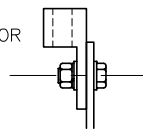
*SPECIFY KEY INTERLOCK REQUIREMENTS

KEY INTERLOCK

KIRK OR SUPERIOR, TYPE B, WITH 3/8" BOLT PROJECTION WHEN WITHDRAWN.

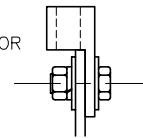
SPECIFY TO LOCK IN OFF POSITION, POSITION 1, POSITION 2, OR ANY COMBINATION.

RECOMMENDED LUG:
INTERNATIONAL CONNECTOR
#RU-250



400 AMP

RECOMMENDED LUG:
INTERNATIONAL CONNECTOR
#RU-350



600 AMP

RECOMMENDED BOLT:
3/8-16 x 1" LONG

RECOMMENDED BOLT:
1/2-13 x 1-1/4" LONG

LUG MOUNTING

REV 1 8-31-05 JAE KEY INT PART NUMBERS IDENTIFIED.

400 & 600 AMP SERIES T SWITCHES WITH GENEVA DUAL OPERATOR & KEY INTERLOCK		
SCALE:	APPROVED BY:	DRAWN BY JWE
DATE: 7-14-93		REVISED 1
boltswitch, inc. CRYSTAL LAKE, ILLINOIS 60014		DRAWING NUMBER 0-1370