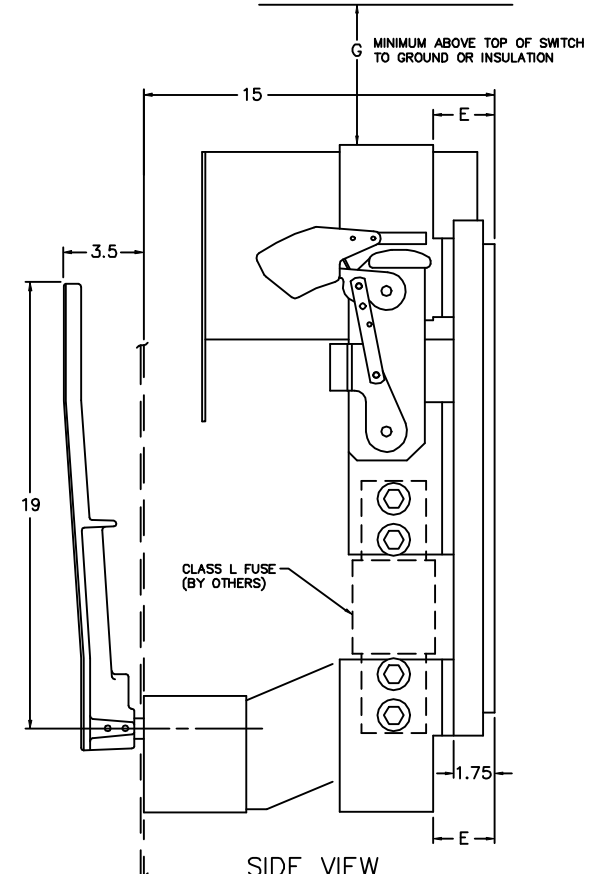


FRONT VIEW



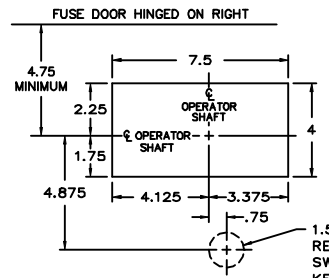
SIDE VIEW

**OPERATOR DETAILS**

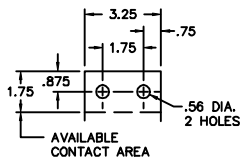
FOR OPERATOR DETAILS AND ALTERNATE FRONT CUT-OUTS, REFER TO THE FOLLOWING DRAWINGS:  
 O-1023A MANUAL OPERATOR  
 O-1090A SHUNT TRIP OPERATOR

**KEY INTERLOCK**

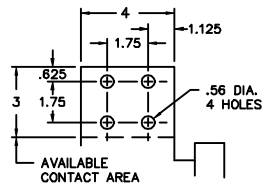
KEY INTERLOCK SPECIFICATIONS FOR SWITCHES EQUIPPED WITH KEY INTERLOCK PROVISIONS ARE:  
 .375 BOLT PROJECTION WHEN WITHDRAWN  
 - KIRK TYPE B  
 - SUPERIOR TYPE B6003



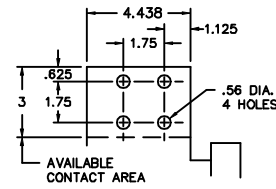
RECOMMENDED FRONT CUT-OUT



800 A. TERMINAL



1200-2500 A. TERM.



3000 A. TERM.

AMP	CAT. NO.	EST NET WEIGHT	A	B	C	D	E	G		H
								GND.	INS.	
800	VL667	360 LBS	25.75	2	1.75	.375	2.5	8	4	NONE
1200	VL668	385 LBS	28.5	3.25	3.25	.375	2.5	10	6	NONE
1600	VL669	385 LBS	28.5	3.25	3.25	.375	2.5	12	6	60 SQ. IN.
2000	VL6610	405 LBS	28.5	3.25	3.25	.5	2.625	14	6	60 SQ. IN.
2500	VL6611	460 LBS	28.5	3.25	3.25	.625	2.625	16	6	80 SQ. IN.
3000	VL6612	515 LBS	28.5	3.25	3.25	.75	2.625	16	8	120 SQ. IN.

**VENTILATION**

WHEN THE SWITCH IS TOTALLY ENCLOSED, VENTILATING LOUVERS MUST BE PROVIDED YIELDING A MINIMUM OPEN AREA OF "H" SQUARE INCHES NEAR THE TOP OF THE ENCLOSURE, AND "H" SQUARE INCHES NEAR THE BOTTOM OF THE ENCLOSURE.

REV. 2 3-11-97 JAE, CORRECTION IN OPERATOR SHAFT LOCATION  
 REV. 1 3-5-97 JAE, DRAWING REDRAWN; CUT-OUT REVISED

800-3000 AMP 6-POLE 600 VAC FUSIBLE VERTICAL TERMINAL SWITCH		
SCALE:	APPROVED BY:	DRAWN BY WCE
DATE: 1-8-85		REVISED 2
<b>boltswitch, Inc.</b> CRYSTAL LAKE, ILLINOIS 60014		DRAWING NUMBER O-1405