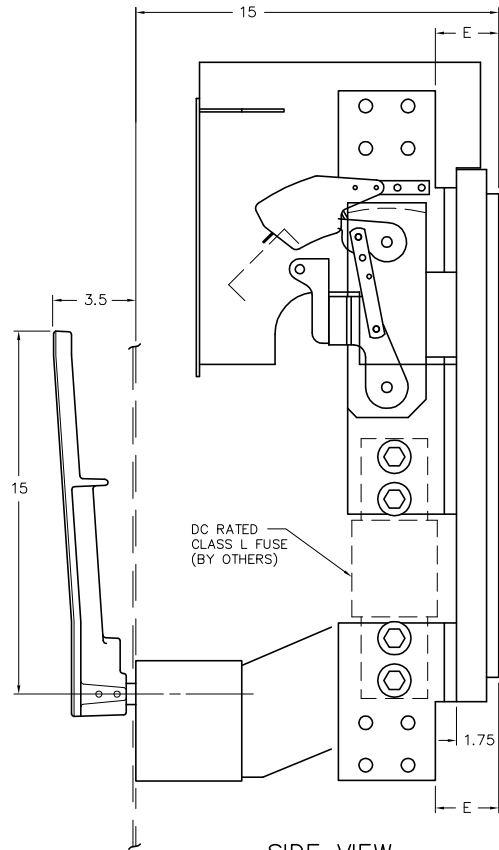
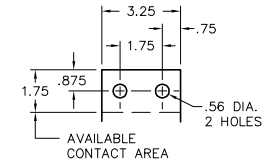


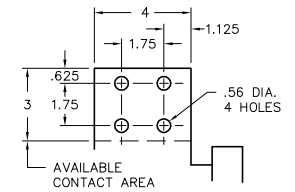
**FRONT VIEW**



**SIDE VIEW**



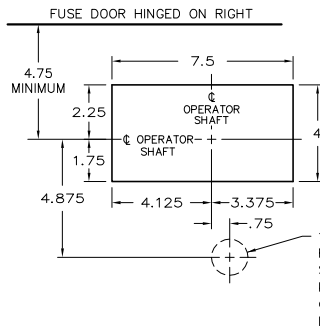
**800 A. TERMINAL**



**1200-2000 A. TERM.**

**VENTILATION**

WHEN THE SWITCH IS TOTALLY ENCLOSED, VENTILATING LOUVERS MUST BE PROVIDED YIELDING A MINIMUM OPEN AREA OF "H" SQUARE INCHES NEAR THE TOP OF THE ENCLOSURE, AND "H" SQUARE INCHES NEAR THE BOTTOM OF THE ENCLOSURE.



**RECOMMENDED FRONT CUT-OUT**

**OPERATOR DETAILS**

FOR OPERATOR DETAILS AND ALTERNATE FRONT CUT-OUTS, REFER TO THE FOLLOWING DRAWINGS:

- O-1023A MANUAL OPERATOR
- O-1090A SHUNT TRIP OPERATOR

**KEY INTERLOCK**

KEY INTERLOCK SPECIFICATIONS FOR SWITCHES EQUIPPED WITH KEY INTERLOCK PROVISIONS ARE:

- .375 BOLT PROJECTION WHEN WITHDRAWN
- KIRK TYPE B
- SUPERIOR TYPE B6003

	AMP	CATALOG NUMBER *	NET WT.	A	B	C	D	E	H
600 VDC	800	<b>WLDC267</b>	105 LBS	25.75	2	1.75	.375	2.5	NONE
	1200	<b>WLDC268</b>	110 LBS	28.5	3.25	3.25	.375	2.5	NONE
	1600	<b>WLDC269</b>	115 LBS	28.5	3.25	3.25	.375	2.5	60 SQ. IN.
	2000	<b>WLDC2610</b>	125 LBS	28.5	3.25	3.25	.5	2.625	60 SQ. IN.

\* OPTIONAL SHUNT TRIP, ADD SUFFIX -ST

**SERIES WLDC**

**800-2000 AMP, 2-POLE, 600 VOLT DC CLASS L FUSIBLE SWITCH**

SCALE:	APPROVED BY:	DRAWN BY JAE
DATE: 7-20-92		REVISED 3
<b>boltswitch, inc.</b>		DRAWING NUMBER
CRYSTAL LAKE, ILLINOIS 60014		O-1511

REV. 3 12-20-95 JAE ALT LOWER MTG HOLES REMOVED  
 REV. 2 11-8-95 JAE NEW FRONT CUT-OUT, HANDLE STYLE & LOCATION REVISED  
 REV. 1 7-27-94 JAE KEY INTY CHANGED