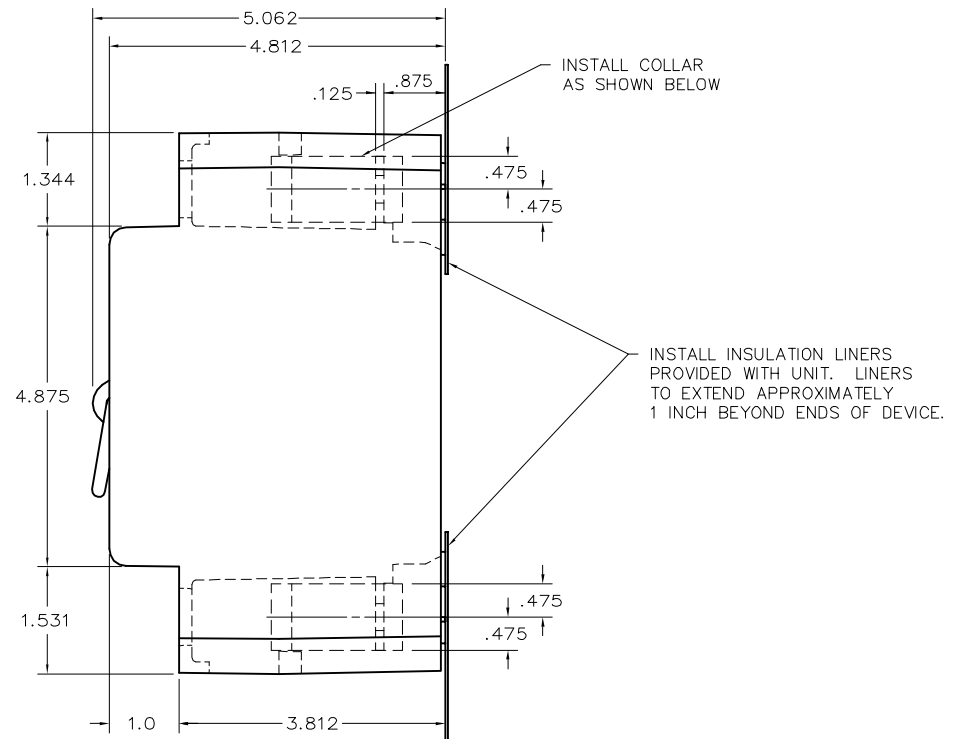
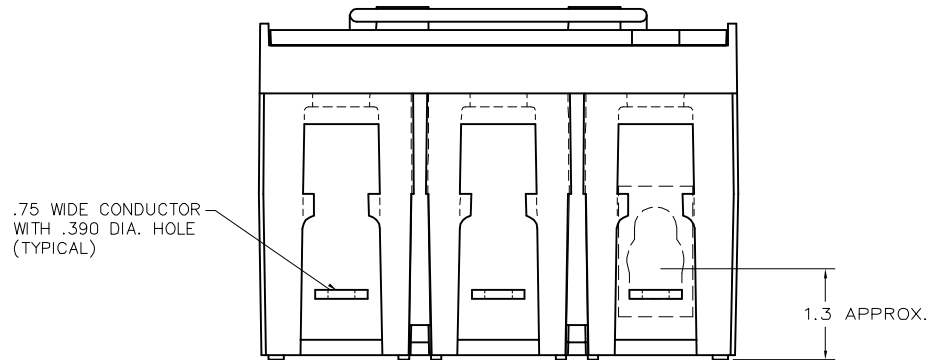


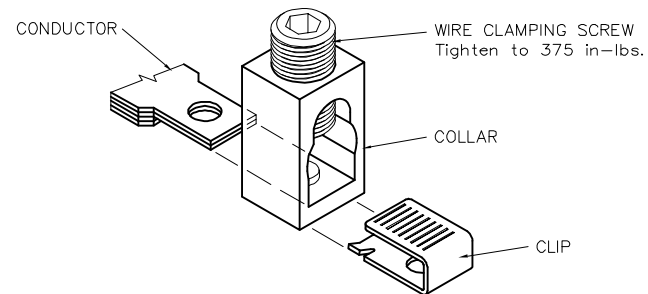
FRONT VIEW



SIDE VIEW



END VIEW



CAT. NO. TK400PA

Wire Range 500MCM-2 or TWO 250MCM-1/0 AL7CU

NOTE:
FUSES ARE NOT INCLUDED.

CLASS T FUSIBLE				
VOLTAGE	AMPACITY	CATALOG NUMBERS		
		1 - POLE *	2 - POLE *	3 - POLE
600 AC	400	PAT365-1P	PAT365-2P	PAT365

* 1-POLE & 2-POLE UNITS HAVE SAME OVERALL DIMENSIONS AS 3 POLE UNITS. 1-POLE UNITS HAVE OUTER POLES OMITTED, 2-POLE UNITS HAVE CENTER POLE OMITTED.

SERIES "PA" 400 AMP, 600 VAC FUSIBLE PULLOUT SWITCHES		
SCALE:	APPROVED BY:	DRAWN BY JWE
DATE: 3-9-05		REVISED
boltswitch, inc. CRYSTAL LAKE, ILLINOIS 60014		DRAWING NUMBER O-1591

REV. 1 12-5-05 JAE INSULATION LINERS ADDED.