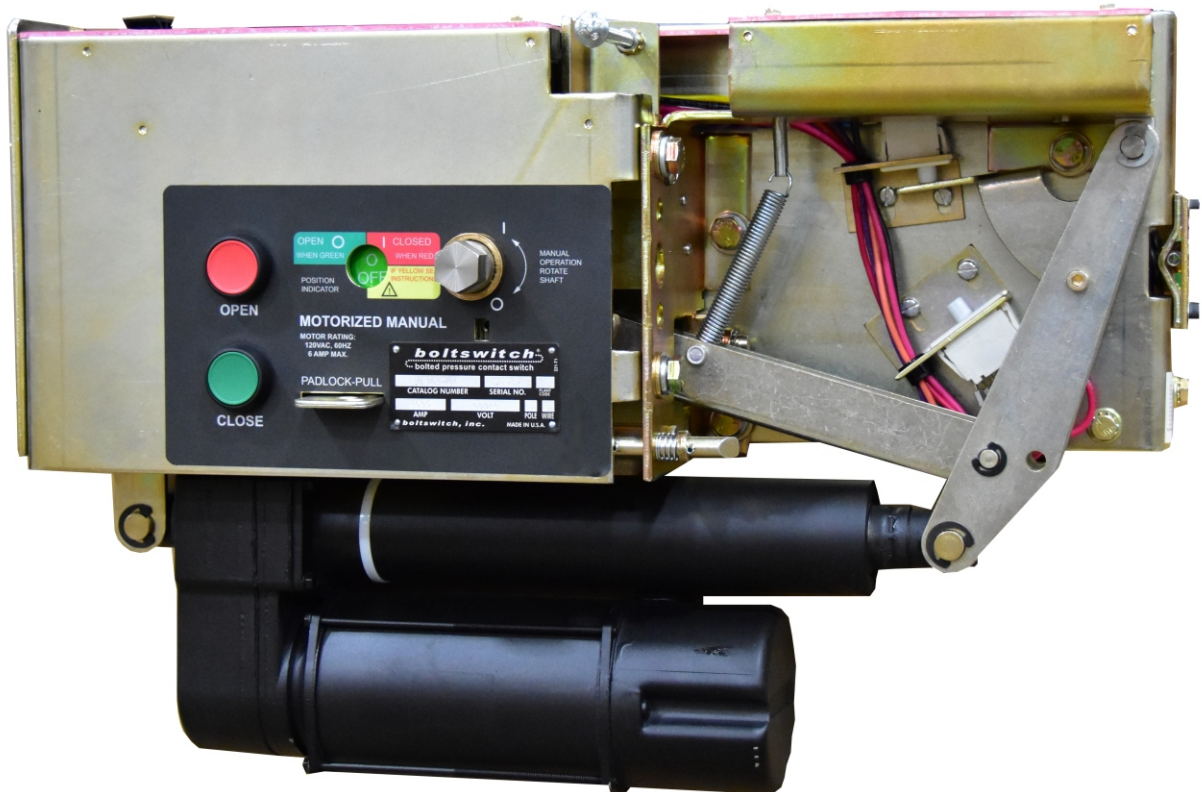


boltswitch

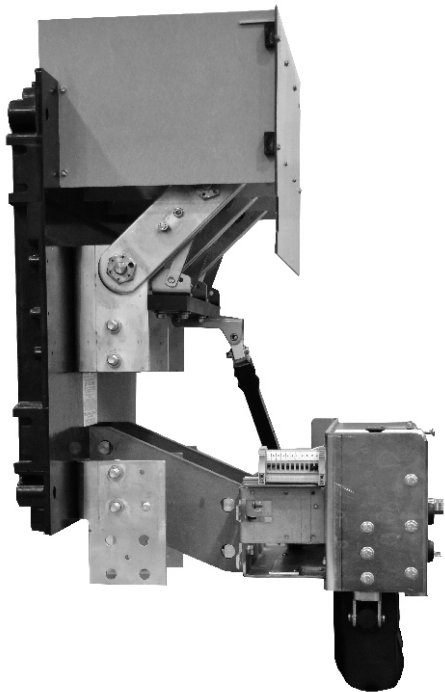
Fused Power-Circuit Device

MOTORIZED MANUAL OPERATOR suffix -MM



boltswitch, inc.

6208 Commercial Road
Crystal Lake, IL 60014
815-459-6900
Fax 815-455-7788



MM operator shown on 1600 Amp, Top-feed switch, Cat. No. VL369-MM

- Side View



Front View -

Motorized Manual Operators provide a method of electrically closing and opening Series VL, SL, VLB and SLB Fused Power Circuit Devices.

The MM Operator is based on our Manual Operator with the following features added:

- The manual operating handle is replaced with a motor assembly to electrically close and open the switch. A hex shaft is provided to allow manual closing and opening.
- The Switch Position Indicator is extended forward, providing true indication of the switch contact position.
- Means are provided to electrically and mechanically padlock the switch in the off position.
- A defeatable door latch is provided to prevent opening the fuse door when the switch is closed.
- A door interlock is provided to electrically and mechanically prevent closing the switch with the fuse door open.
- Operating time (open or close) is approximately 5 seconds.

Our new design provides the following advantages:

- Interchangeability with our previous MM design; The switch depth, door latch and optional key interlock remain the same while the front cut-out is slightly enlarged.
- Improved fuse access due to underhung motor location.
- Smoother, quieter operation.

OUTLINE DRAWINGS	
SWITCH TYPE	DRAWING NO.
SERIES VL	O-1133A
SERIES SL	O-1135A
SERIES VLB	O-1414A
SERIES SLB	O-1436A

CONTROL CIRCUIT DATA

Nominal Control Voltage: 120 Volts AC, 60Hz
 Closing Circuit Voltage Range: 102-125 Volts AC
 Open Circuit Voltage Range: 102-125 Volts AC
 Average Current: 3 Amps
 Circuit Inrush: 6 Amps maximum
 Control Fuse: 10 Amp Class CC
 Recommended Control Transformer: 250VA

UL NO-LOAD ENDURANCE REQUIREMENTS	
SWITCH RATING IN AMPERES	NUMBER OF OPERATIONS
800	3500
1200	2500
1600-2500	2000
3000-4000	1000

