

boltswitch[®]

CLASS “OPEN TYPE SWITCHES”

AND IDENTICAL SWITCHES LISTED AS “FUSED POWER CIRCUIT DEVICES”

FOR MOUNTING IN DEAD FRONT SWITCHBOARDS AND ENCLOSURES

SERIES J- FOR CLASS J FUSES
400 AND 600 AMPERE

SERIES L- FOR CLASS L FUSES
800 AND 1200 AMPERE

SERIES JB- BOTTOM FEED FOR CLASS J FUSES
400 AND 600 AMPERE

SERIES LB- BOTTOM FEED FOR CLASS L FUSES
800 AMPERE

SERIES T- FOR CLASS T FUSES
200 THRU 1200 AMPERE

SERIES VT- FOR CLASS T FUSES
800 AND 1200 AMPERE

SERIES R- FOR CLASS R FUSES
400 AND 600 AMPERE

SERIES B- FOR NEC FUSES
400 AND 600 AMPERE

BACK CONNECTED- FOR CLASS J & L FUSES
400 THRU 800 AMPERE



TESTS: These switches have been tested in accordance with UL 98 and are UL Listed as “Switches, Open Type” under File No. E37690. Certain switches have also been tested in accordance with UL 977 and are listed as “Fused Power Circuit Devices” under File No. E44498. C-UL is a listing mark for products used in Canada.

FEATURES: Fault Current Ratings • Bolted Pressure Contacts • Load Break Design • Quick-make Quick-break Operators • Visible Contacts • Silver Plated Copper Current Carrying Parts • Grid Type Arc Chutes On All 600 Volt Switches • Terminals Designed For Lugs Or Bus Bars • Provisions For Up To Three Padlocks

SERIES J (Dwg. O-1009)

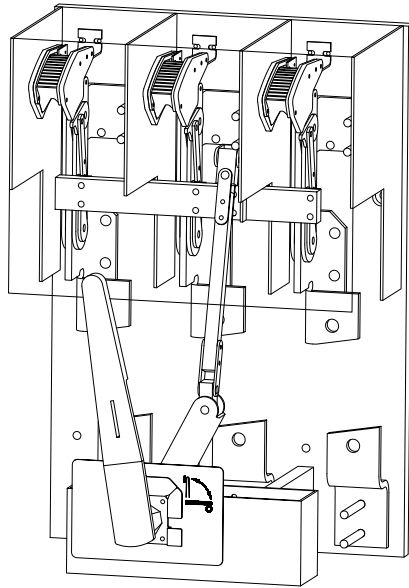
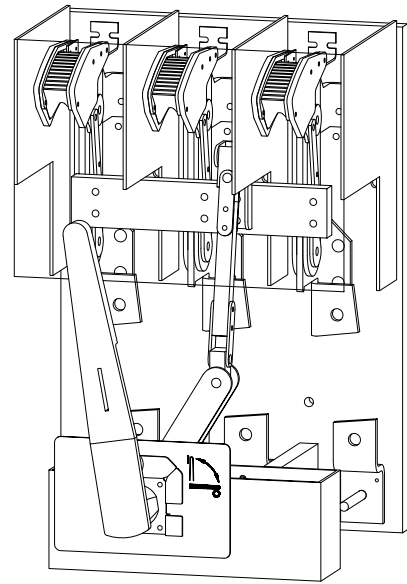
Series J switches are top feed, rated 400 or 600 amperes, 600 volts AC. They will accommodate Class J fuses. The UL Listed short circuit current rating is 200,000 RMS symmetrical amperes at 600 volts. Series J switches are also UL Listed for use at 600 volts DC .

CATALOG NUMBERS

| Voltage | Ampacity | 2-Pole 2-Wire | 3-Pole 3-Wire | 4-Pole 4-Wire |
|---------|----------|---------------|----------------|---------------|
| 600 AC† | 400 | J265WOL | J365WOL | J465WOL |
| | 600 | J266WOL | J366WOL | J466WOL |

120 VAC Shunt Trip operator, add suffix -ST
(Alternate 24, 48, 125 or 250 VDC coil, specify when ordering)

†For alternate 600 VDC rating, specify when ordering



SERIES L (Dwg. O-1009)

Series L switches are top feed, rated 800 or 1200 amperes, 240 or 600 volts AC. They will accommodate Class L fuses. The UL Listed short circuit current rating is 200,000 RMS symmetrical amperes at rated voltage.

CATALOG NUMBERS

| Voltage | Ampacity | 2-Pole 2-Wire | 3-Pole 3-Wire | 4-Pole 4-Wire |
|---------|----------|---------------|----------------|---------------|
| 240 AC | 800 | L227WOL | L327WOL | L427WOL |
| | 800 | L227-A* | L327-A* | L427-A* |
| | 1200 | L228WOL | L328WOL | L428WOL |
| | 1200 | L228-A* | L328-A* | L428-A* |
| 600 AC | 800 | L267WOL | L367WOL | L467WOL |
| | 800 | L267-A* | L367-A* | L467-A* |
| | 1200 | L268WOL | L368WOL | L468WOL |
| | 1200 | L268-A* | L368-A* | L468-A* |

120 VAC Shunt Trip operator, add suffix -ST
(Alternate 24, 48, 125 or 250 VDC coil, specify when ordering)

* FUSED POWER CIRCUIT DEVICE marker

SERIES JB (Dwg. O-1567)

Series JB switches are bottom feed, rated 400 or 600 amperes, 600 volts AC. They will accommodate Class J fuses. The UL Listed short circuit current rating is 200,000 RMS symmetrical amperes at 600 volts.

CATALOG NUMBERS

| Voltage | Ampacity | 2-Pole 2-Wire | 3-Pole 3-Wire | 4-Pole 4-Wire |
|---------|----------|---------------|-----------------|---------------|
| 600 AC | 400 | JB265WOL | JB365WOL | JB465WOL |
| | 600 | JB266WOL | JB366WOL | JB466WOL |

120 VAC Shunt Trip operator, add suffix -ST
(Alternate 24, 48, 125 or 250 VDC coil, specify when ordering)

SERIES LB (Dwg. O-1567)

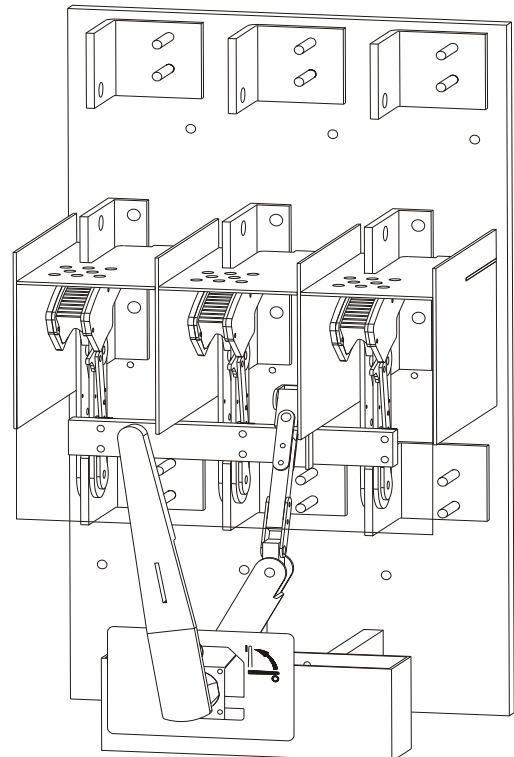
Series LB switches are bottom feed, rated 800 ampere, 600 volts AC. They will accommodate Class L fuses. The UL Listed short circuit current rating is 200,000 RMS symmetrical amperes at 600 volts.

CATALOG NUMBERS

| Voltage | Ampacity | 2-Pole 2-Wire | 3-Pole 3-Wire | 4-Pole 4-Wire |
|---------|----------|---------------|-----------------|---------------|
| 600 AC | 800 | LB267WOL | LB367WOL | LB467WOL |
| | 800 | LB267-A* | LB367-A* | LB467-A* |

120 VAC Shunt Trip operator, add suffix -ST
(Alternate 24, 48, 125 or 250 VDC coil, specify when ordering)

* FUSED POWER CIRCUIT DEVICE marker

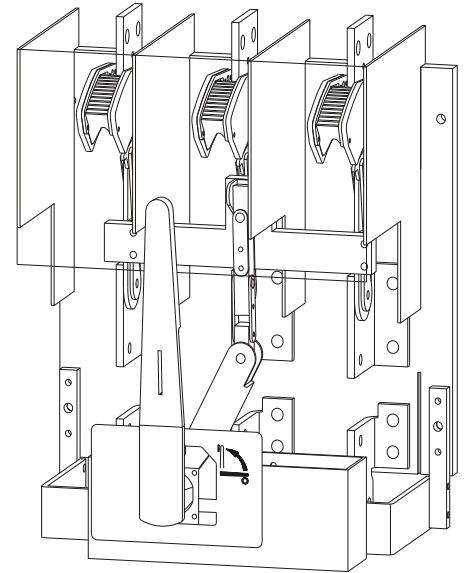


SERIES T (Dwg. O-1128 & O-1549)

Series T switches are top feed switches. 1-Pole (double break) switches are rated 125 volt DC, and are particularly recommended for use as battery disconnect switches. All other switches are rated 240 or 600 volts AC, but may be rated 125 volts DC if specified. AC rated switches have standard horsepower ratings. Series T switches accommodate Class T fuses. The UL Listed short circuit current rating is 200,000 RMS symmetrical amperes, or 50,000 amperes at 125 volts DC.

CATALOG NUMBERS

| Voltage | Amp | 1-P (Double Break) | 2-P 2-W | 3-P 3-W | 4-P 4-W |
|--|------|--------------------|---------|----------------|---------|
| 125 DC (1-P) and 240 AC† (all others) | 200 | T114WOL | - | - | - |
| | 400 | T115WOL | T225WOL | T325WOL | T425WOL |
| | 600 | T116WOL | T226WOL | T326WOL | T426WOL |
| | 800 | T117WOL | T227WOL | T327WOL | T427WOL |
| | 1200 | T118WOL | T228WOL | T328WOL | T428WOL |
| 600 AC | 400 | - | T265WOL | T365WOL | T465WOL |
| | 600 | - | T266WOL | T366WOL | T466WOL |
| | 800 | - | T267WOL | T367WOL | T467WOL |
| | 1200 | - | T268WOL | T368WOL | T468WOL |



120 VAC Shunt Trip operator (available on 800-1200 Amp only), add suffix -ST (Alternate 24, 48, 125 or 250 VDC coil, specify when ordering)

†For alternate 125 VDC rating on 2-P, 3-P or 4-P, specify when ordering

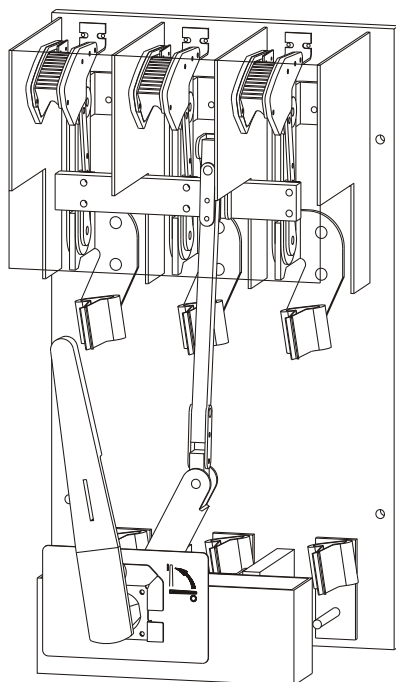
SERIES VT (Dwg. O-1520)

Series VT switches are identical to AC rated 800 and 1200 ampere Series T switches, except have the FUSED POWER CIRCUIT DEVICE marker.

CATALOG NUMBERS

| Voltage | Ampacity | 2-P 2-W | 3-P 3-W | 4-P 4-W |
|---------|----------|---------|---------|---------|
| 240 AC | 800 | VT227 | VT327 | VT427 |
| | 1200 | VT228 | VT328 | VT428 |
| 600 AC | 800 | VT267 | VT367 | VT467 |
| | 1200 | VT268 | VT368 | VT468 |

120 VAC Shunt Trip operator, add suffix -ST (Alternate 24, 48, 125 or 250 VDC coil, specify when ordering)



SERIES R (Dwg. O-1122)

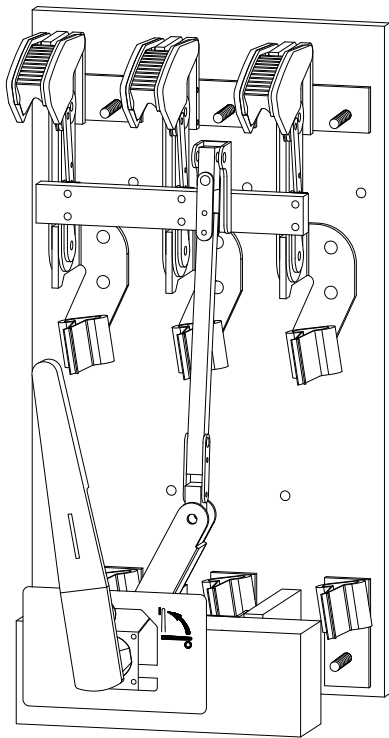
400 or 600 amperes for use at 240 or 600 volts AC. These switches have maximum horsepower ratings. They will accommodate Class R fuses. The UL Listed short circuit current rating is 200,000 RMS symmetrical amperes. Series R switches are also listed for use at 600 volts DC.

CATALOG NUMBERS

| Voltage | Ampacity | 2-Pole 2-Wire | 3-Pole 3-Wire | 4-Pole 4-Wire |
|---------|----------|---------------|----------------|---------------|
| 240 AC | 400 | R225WOL | R325WOL | R425WOL |
| | 600 | R226WOL | R326WOL | R426WOL |
| 600 AC† | 400 | R265WOL | R365WOL | R465WOL |
| | 600 | R266WOL | R366WOL | R466WOL |

120 VAC Shunt Trip operator, add suffix -ST (Alternate 24, 48, 125 or 250 VDC coil, specify when ordering)

†For alternate 600 VDC rating, specify when ordering



SERIES B (Dwgs. O-1007, O-1076 & O-1077)

These switches are recommended for replacement purposes only (provide serial number of original switch when ordering). They will receive any renewable or non-renewable, current limiting or non-current limiting Class H, Class K or NEC fuse. Series B switches are top feed, rated 400 or 600 amperes, 240 or 600 volts AC. The UL listed short circuit current rating is 10,000 RMS symmetrical amperes.

CATALOG NUMBERS

| Voltage | Ampacity | Dwg. | 2-Pole 2-Wire | 3-Pole 3-Wire |
|---------|----------|--------|---------------|----------------|
| 240 AC | 400 | O-1007 | B225WOL | B325WOL |
| | 600 | O-1007 | B226WOL | B326WOL |
| 600 AC | 400 | O-1076 | B265WOL | B365WOL |
| | 600 | O-1077 | B266WOL | B366WOL |

Shunt Trip not available on Series B switches.

BACK CONNECTED (Dwg. O-1010)

These switches are designed for installation in Style III switchboards. They require a minimum of height and width. Barriers completely enclose arcing zones, allowing the switch to mount and perform in a very small compartment. Back connected switches are top feed, rated 400, 600 & 800 amperes, 600 volts AC. 400 and 600 ampere switches will accommodate Class J fuses, 800 ampere switches will accommodate Class L fuses. The UL Listed short circuit current rating is 200,000 RMS symmetrical amperes at 600 volts.

CATALOG NUMBERS

| Voltage | Ampacity | 2-Pole 2-Wire | 3-Pole 3-Wire |
|---------|----------|---------------|------------------|
| 600 AC | 400 | J265-X3 | J365-X3 |
| | 600 | J266-X3 | J366-X3 |
| | 800 | L267-X3 | L367-X3 |
| | 800 | L267-AX3* | L367-AX3* |

120 VAC Shunt Trip operator, add suffix -ST
(Alternate 24, 48, 125 or 250 VDC coil, specify when ordering)

* FUSED POWER CIRCUIT DEVICE marker

