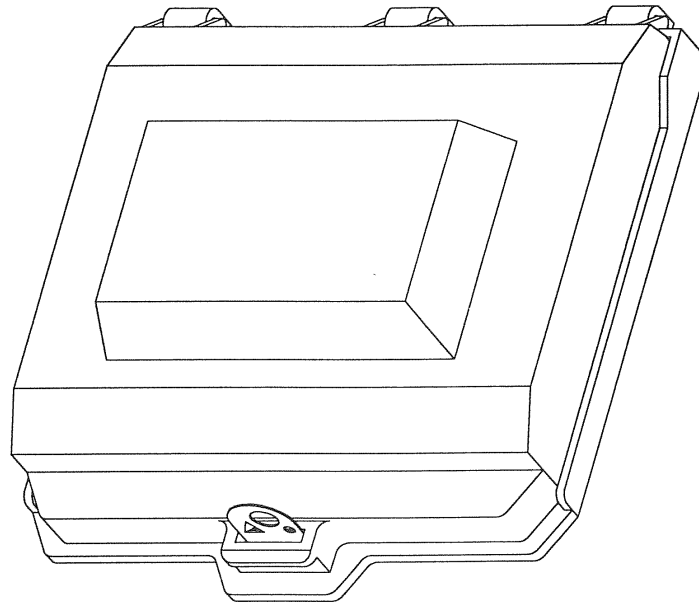


boltswitch[®]



INDOOR/OUTDOOR **COVER KIT** FOR CIRCUIT BREAKERS



CATALOG NUMBER

DESCRIPTION

CK-4M

BLACK COVER, BLACK BASE

CK-4MR

RED COVER, RED BASE

CK-4MT

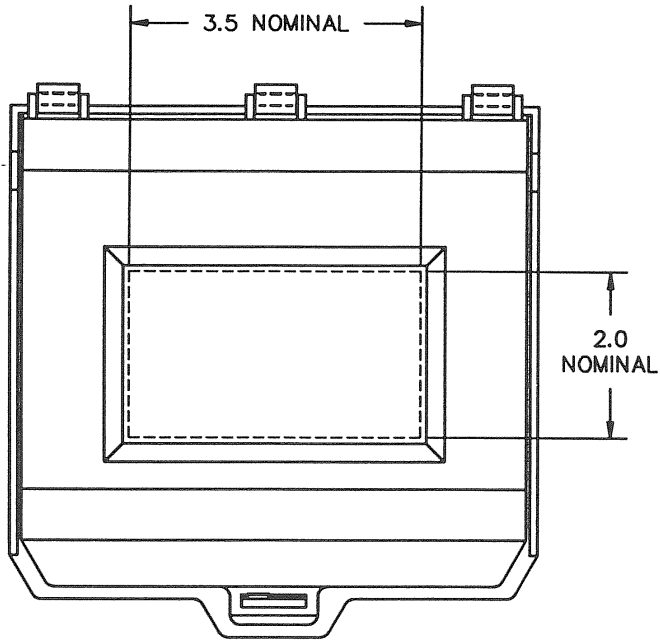
TRANSPARENT COVER, BLACK BASE
(OR OPTIONAL RED BASE)

- APPLICATION:** Designed primarily to cover, protect and/or limit access to most 400 through 1200 amp molded case circuit breakers. Suitable for indoor or outdoor use. (Red components suitable for indoor use only.)
- TESTS:** Tested in accordance with UL67 and UL746C, and UL recognized as Component-Panelboard Accessories under File No. E87840.
- FEATURES:** Attractive. Sturdy construction. Can mount vertical (hinges top) or horizontal. Recommended mounting of cover kit is horizontal when breaker is mounted vertical, and vertical when breaker is mounted horizontal. Hasp for padlock and wire seal.

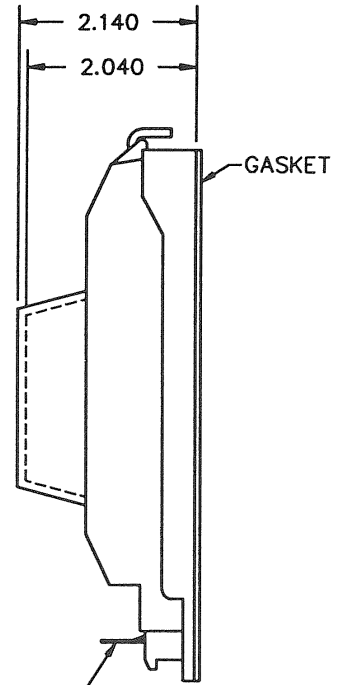
boltswitch, inc.[®] CRYSTAL LAKE, ILLINOIS 60014

DECEMBER, 1995

Bulletin 134 (back)

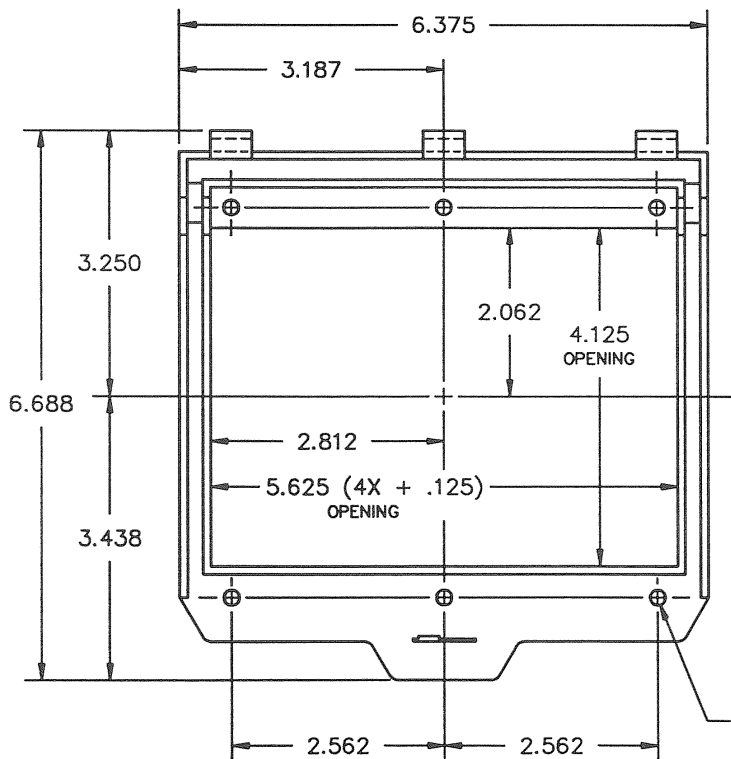


FRONT VIEW



HASP HAS 5/16 DIA. HOLE FOR PADLOCK AND 1/8 DIA. HOLE FOR WIRE SEAL

SIDE VIEW



3/16 DIA., 6 HOLES, CLEARANCE FOR #8-32 SELF TAPPING SCREWS (PROVIDED)

BASE

NOTES

- FOR INDOOR APPLICATION THE GASKET MAY BE OMITTED.
- ALL DIMENSIONS IN INCHES.
- X EQUALS 1.375 INCHES.